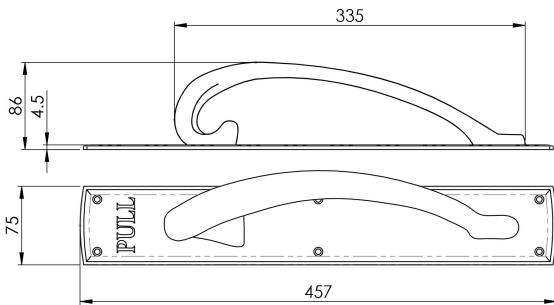


Engraved Large Pull Handle

PF10



Large pull handle, Right or Left hand options, on an engraved pull backplate. An imposing offset sweeping pull handle mounted onto a large backplate with the engraved pull title clearly shown at the top. This substantial pull handle is ideal for heavy rigorous use in public buildings, pubs, restaurants or similar. These pull handles are handed.

