

Casement Fastener

Product Images





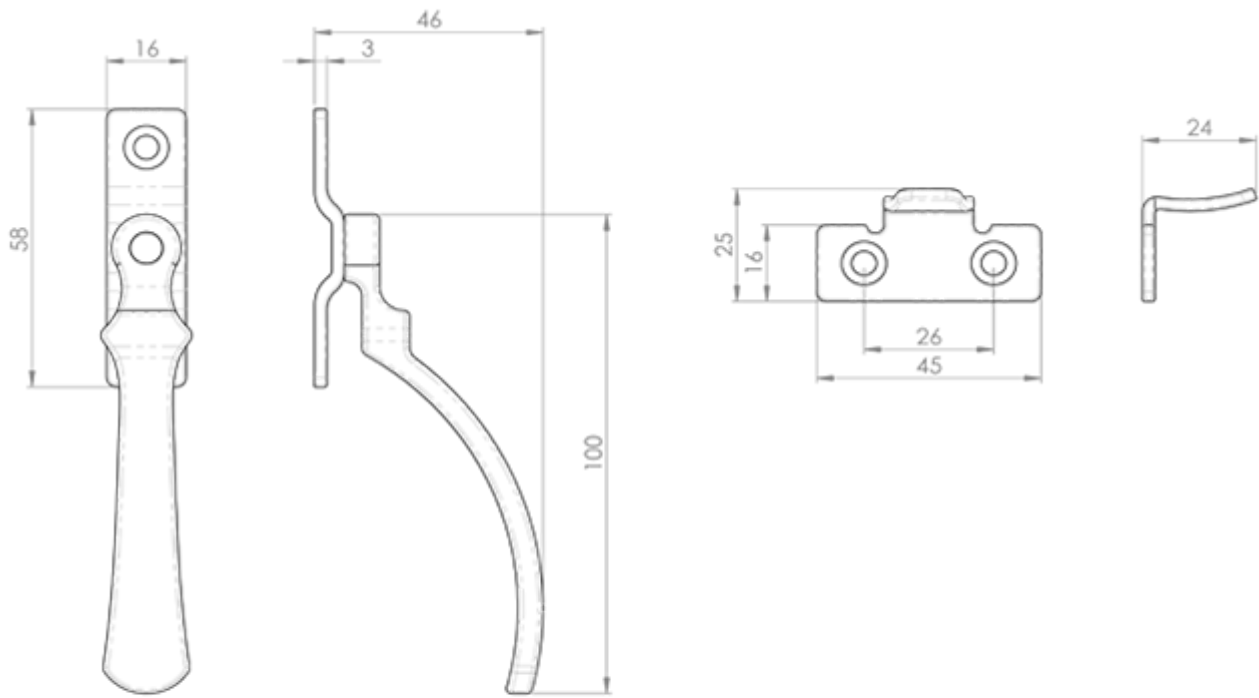




Description

A traditional and functional Victorian wedge-pattern casement fastener for timber casement windows. Not suitable for weather stripped windows. Locking option. Available in different finishes. Comes with a 10 year mechanical guarantee. Suitable for domestic use. Not suitable for weather stripped windows

Technical Details



CARLISLE BRASS

V1005

This drawing is the property of Carlisle Brass Limited, all design rights reserved

Specification



Additional Information

SKU	V1005
Brands	Carlisle Brass
Features	Not Suitable for Weather Stripped Windows
Technical	4,49
Line Drawings	V1005.PDF

Product Options

Finishes:	Polished Chrome
	Satin Chrome
	Polished Brass
	Satin Nickel
Options:	Wedge Pattern
	Locking Wedge Pattern
Sizes:	101MM Handle Length