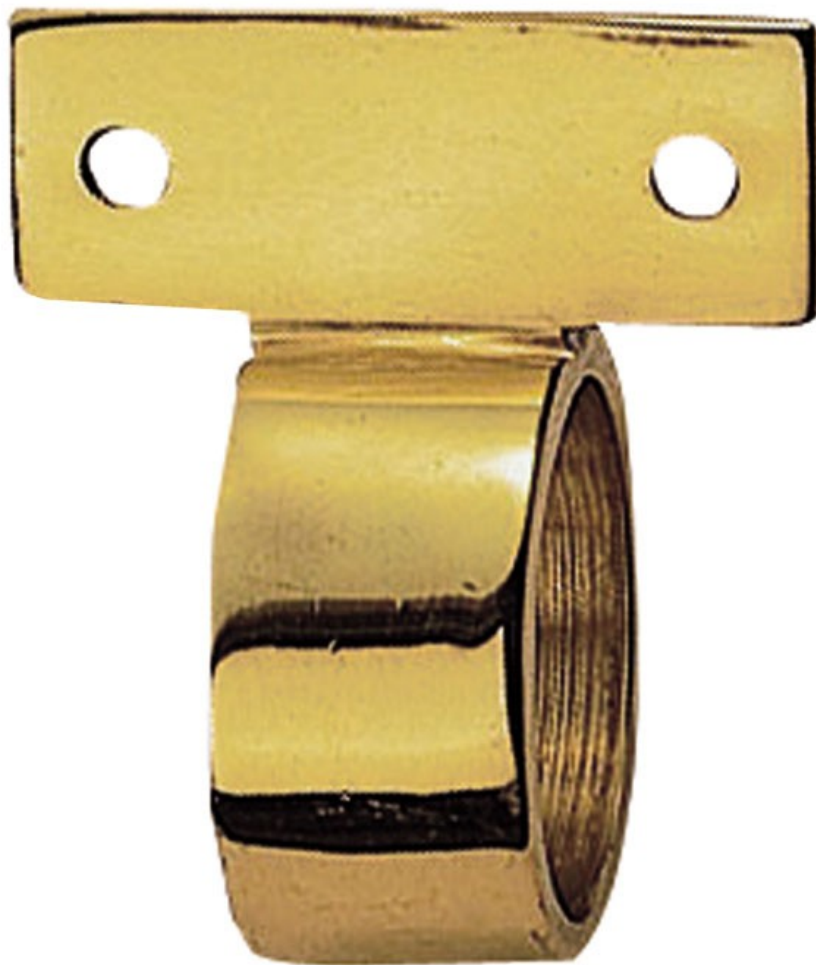




Ring Sash Lift Vertical fit

Product Images



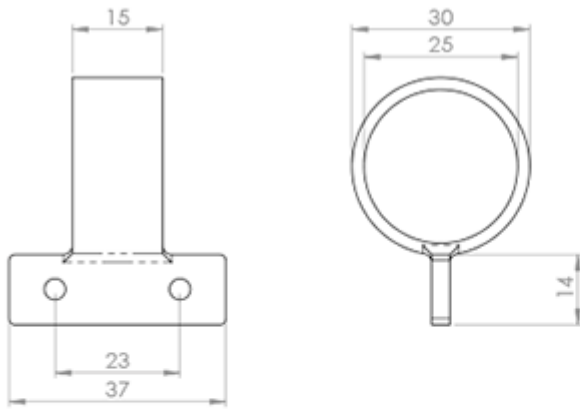
Description

Vertical fix ring sash lift is a necessary fitting for a sliding sash window in order to open the bottom sash. Two lifts would be fitted, one on either side of

the window, in order to open the window with both hands.

[Click here for care instructions](#)

Technical Details



CARLISLE BRASS
AA42R1

This drawing is the property of Carlisle Brass Limited, all design rights reserved



Specification



Additional Information

Short Description	Ring Sash Lift
SKU	AA42R1
Barcode	5050245103825
Brands	Carlisle Brass
Finishes	Polished Brass
Options	Vertical Fix
Sizes	44mm x 12mm
Technical	4
Line Drawings	AA42R1.PDF
Unit of Sale	Each

