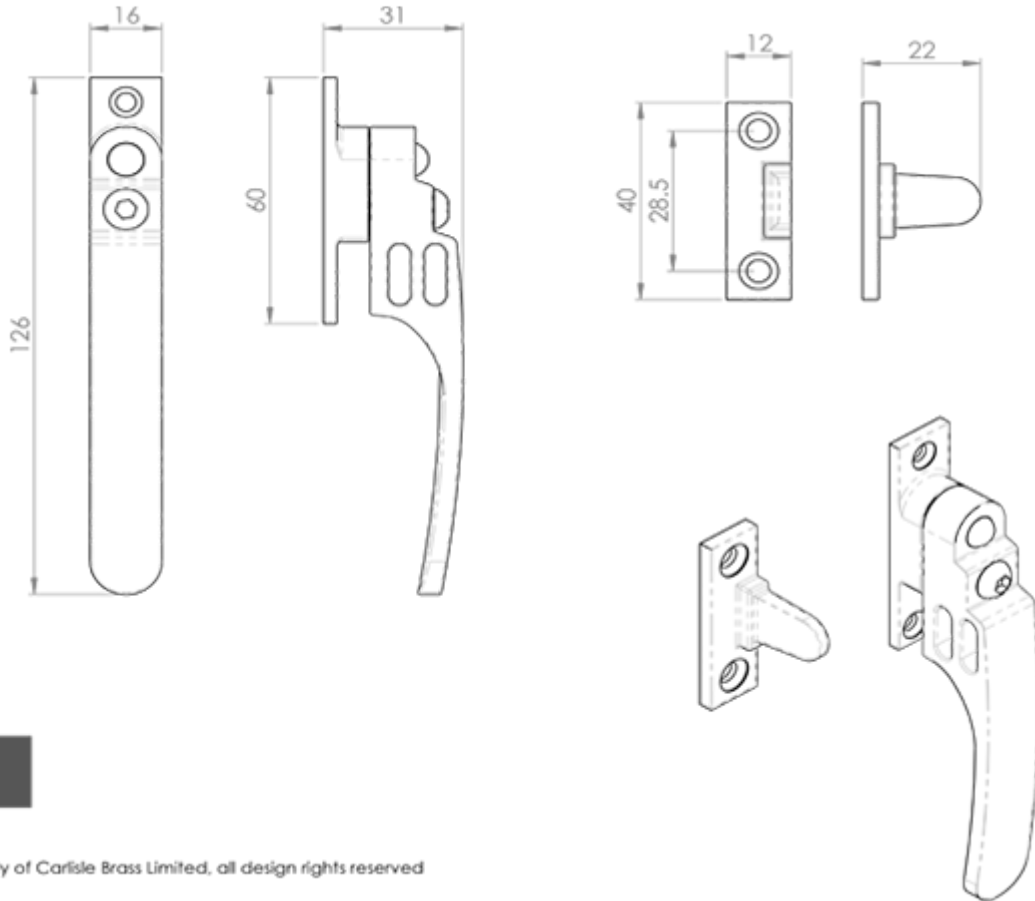


Locking Casement Fastener with Night Vent

Product Images



Technical Details



© CARLISLE BRASS

V1007LCK

This drawing is the property of Carlisle Brass Limited, all design rights reserved

Specification



Additional Information

SKU	V1007LCK Range
Brands	Carlisle Brass
Technical	4
Line Drawings	V1007LCK.PDF

Product Options

Finishes:	Polished Chrome
	Satin Chrome
	Polished Brass
Sizes:	125mm Overall Length