



Architectural Sash Lift

Product Images

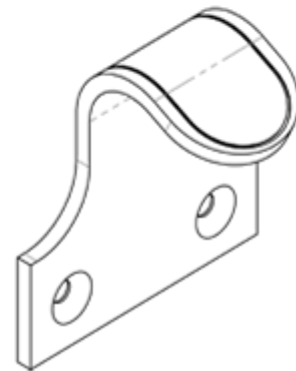
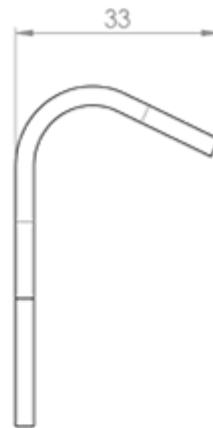
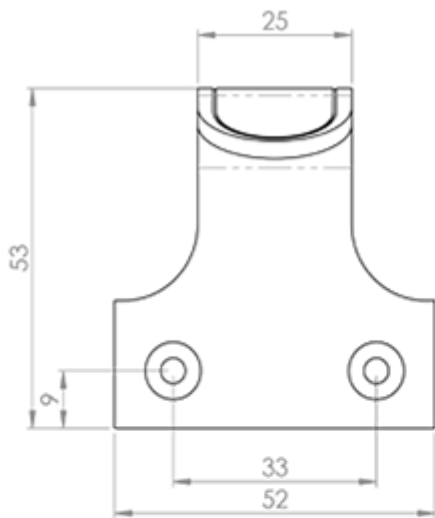


Description

A standard traditional sash lift handle for lifting the bottom sash window. Normally fitted in pairs (one to each side of the window) to allow tandem

lifting. An edge groove around the top adds a charming detail and the two anchor points provide secure and easy fixing.

Technical Details



 CARLISLE BRASS

AQ42

This drawing is the property of Carlisle Brass Limited, all design rights reserved

Specification



Additional Information

Short Description	Sash Lift
SKU	AQ42 Range
Brands	Carlisle Brass
Technical	4,49
Line Drawings	AQ42.pdf

Product Options

Finishes:	Polished Chrome
	Satin Nickel
	Satin Chrome
	Polished Brass
Sizes:	53mm x 48mm

