

## CE Hinge 4 x 3 x 3 - Grade 13

### Product Images

---



### Description

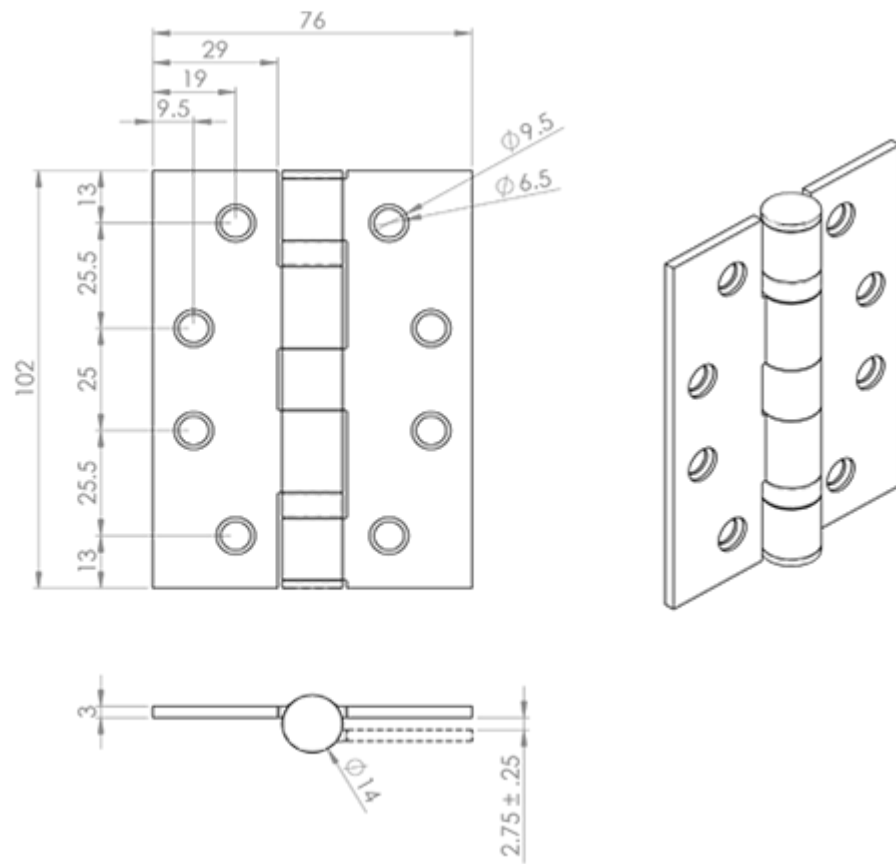
---

Grade 13 Double Ball Bearing Hinge.c/w M5x31mm screws It has a CE mark and is Certifire tested. Double Ball bearing hinges have always been very popular for their smooth operation, durability, long lasting design and ability to carry heavier loads than washed hinges. Recommended fitting for self

closing fire doors. Fitting 3 hinges per door is recommended. It will look aesthetically pleasing and from a practical viewpoint it helps spread the load evenly and will help to overcome twisting or warping. CE marked. Comes with a 10 year mechanical guarantee and is Fire door rated. Suitable for domestic use.

## Technical Details

---



© CARLISLE BRASS

**HDBB4**

This drawing is the property of Carlisle Brass Limited, all design rights reserved

## Specification

---



## Additional Information

---

SKU	HDBB4-FB
Brands	Carlisle Brass
Finishes	Florentine Bronze
Sizes	102mm x 76mm x 3mm, Screws No.10 x 32mm
Technical	4
Line Drawings	HDBB4.PDF