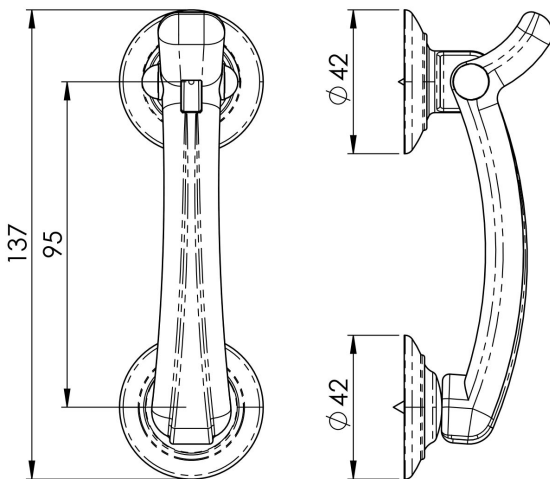


## Door Knocker on Rose

M43SC



A chunky smooth line door knocker mounted on a two round roses. The knocker has etched lines on the front accentuating the subtle contours. A modern knocker for contemporary settings. Comes with a 10 year mechanical guarantee.

