



Hand Forged Beeswax Gothic Lever on Lock Backplate

Product Images



Description

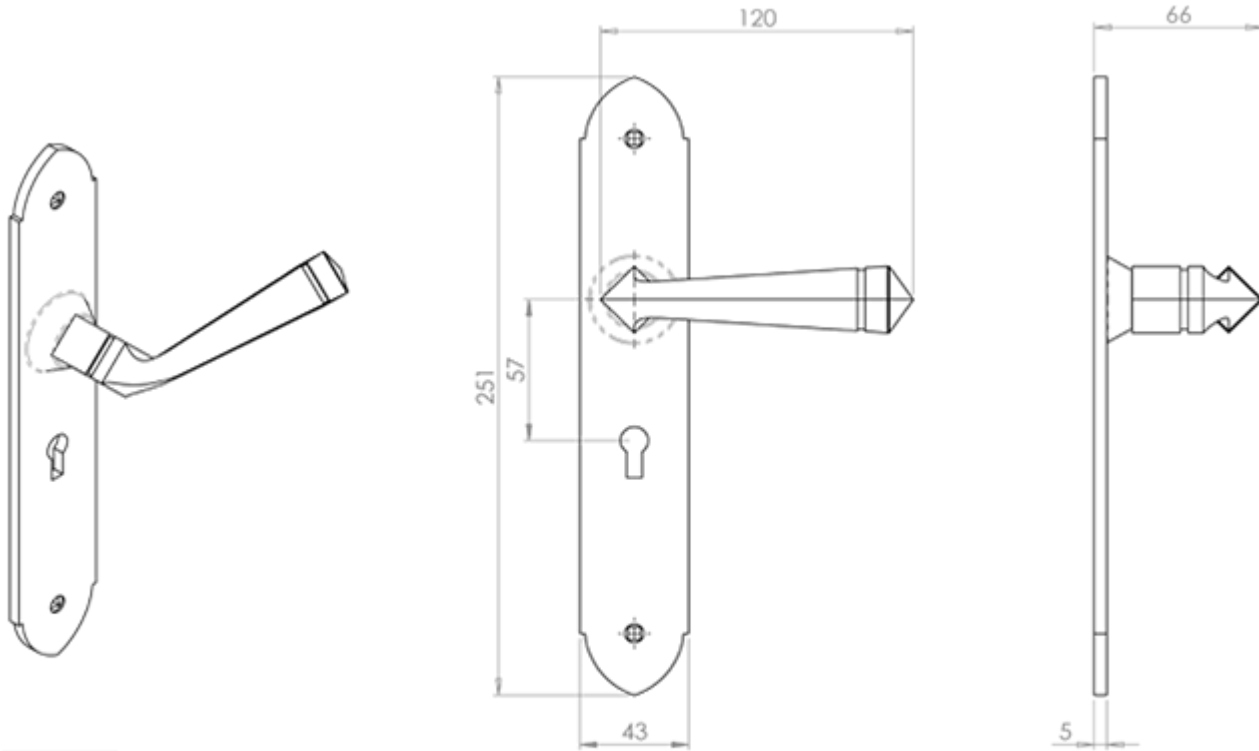
Lever on lock backplate. Square straight lever expanding to a broader end with a pinnacle point. The handle sits on a rectangular backplate with arched

top and bottom. The Beeswax finish is the simple, age-old combination of hand forged fired metal finished with wax. The product will acquire its own unique patina over years of use. Comes with a 10 year mechanical guarantee. Not suitable for external use.

[Click here for care instructions](#)

Discontinued once stocks have gone

Technical Details



BW5504

This drawing is the property of Carlisle Brass Limited, all design rights reserved

Specification



Additional Information

Short Description	Gothic Lever on Lock Backplate
SKU	BW5504
Barcode	5050245154469
Brands	Ludlow Foundries
Finishes	Beeswax
Options	Lock Profile
Sizes	250mm x 43mm Backplate
Technical	4
Line Drawings	BW5504.PDF
Unit of Sale	Pair

