

Hand Forged Beeswax Gothic D Handle

Product Images

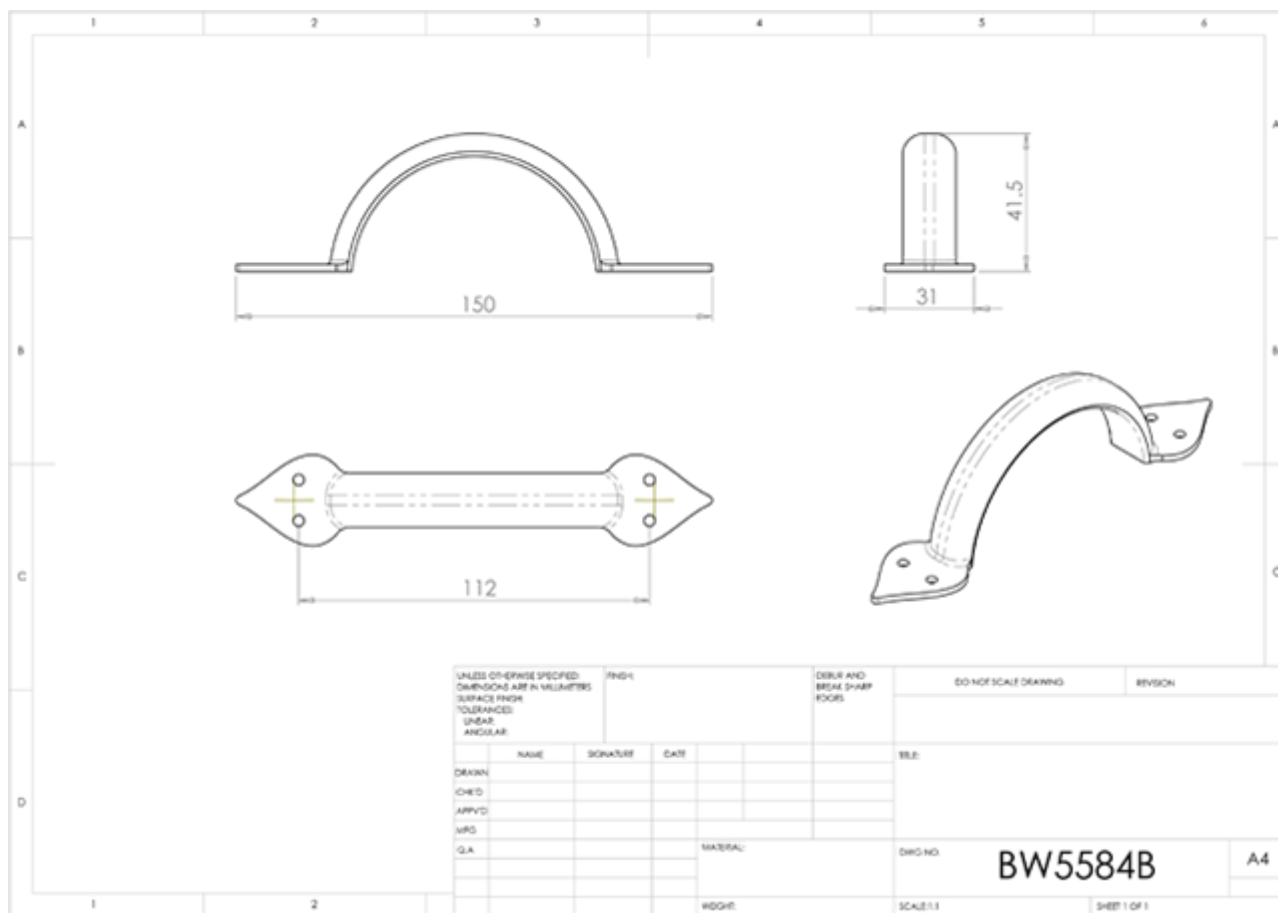


Description

Hand forged arched D handle on flat arrow head shaped ends. Best suited to period properties or restoration projects on cottages, listed buildings and

country homes. The Beeswax finish is the simple, age-old combination of hand forged fired metal finished with wax. The product will acquire its own unique patina over years of use. Comes with a 10 year mechanical guarantee. Not suitable for external use.

Technical Details



Specification



Additional Information

SKU	BW5584B
Brands	Ludlow Foundries
Finishes	Beeswax
Sizes	150mm x 31mm
Technical	4
Line Drawings	BW5584B.PDF