

Hand Forged Beeswax Fishtail Straight Bolt

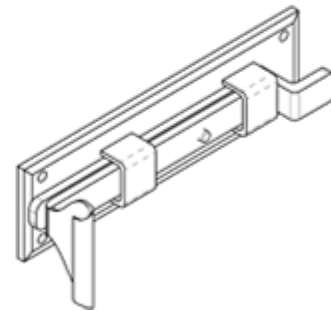
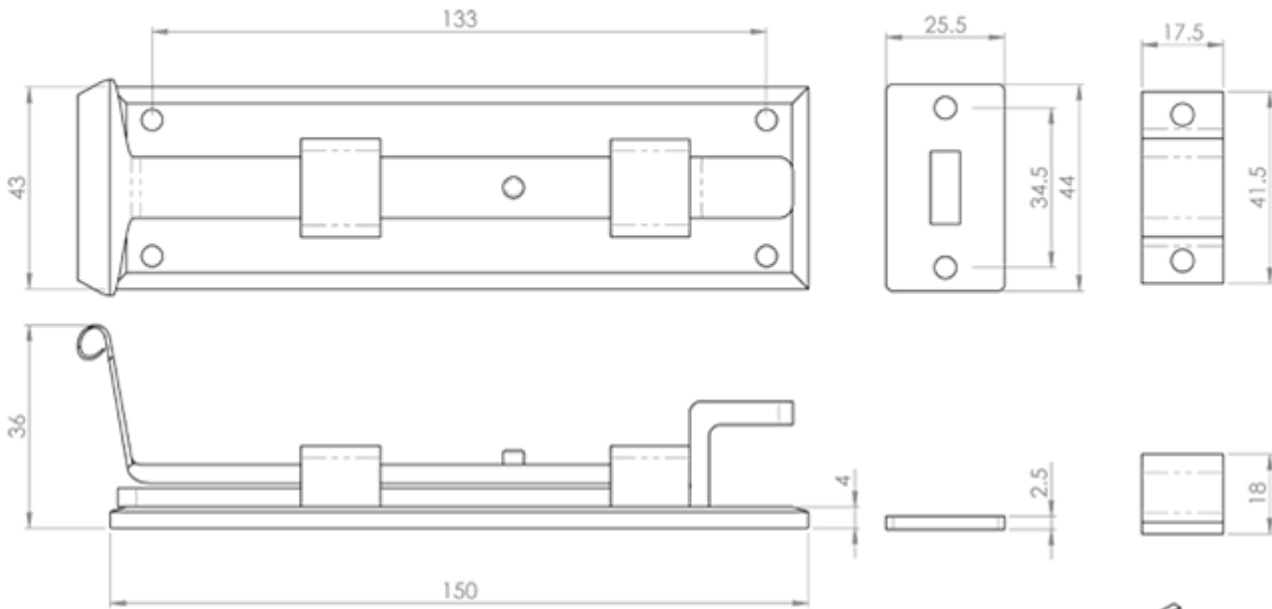
Product Images



Description

A straight style door bolt individually hand forged using traditional blacksmith methods. The upraised formed pull handle is curled inwards giving a positive grip in use. The rustic old fashioned styling is more suitable for period properties. The Beeswax finish is the simple, age-old combination of hand forged fired metal finished with wax. The product will acquire its own unique patina over years of use. Comes with a 10 year mechanical guarantee. Not suitable for external use.

Technical Details



BW5564B

This drawing is the property of Carlisle Brass Limited. all design rights reserved

Specification



Additional Information

SKU	BW5564B
Brands	Ludlow Foundries
Finishes	Beeswax
Sizes	150mm x 43mm
Technical	4
Line Drawings	BW5564B.PDF