

## Hand Forged Beeswax Beaten Cupboard Knob

### Product Images

---



### Description

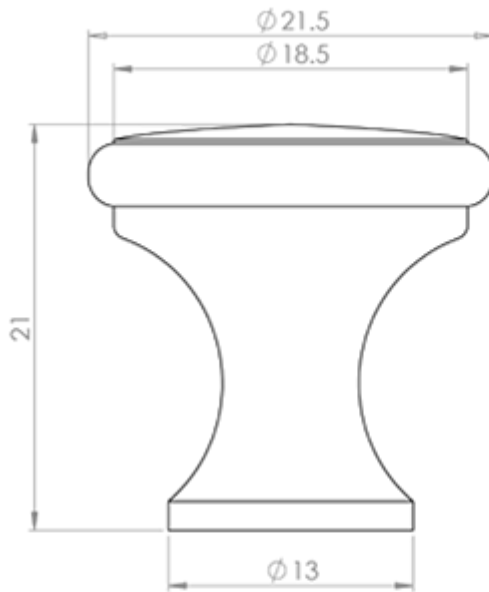
---

An individually hand forged, hammer beaten cupboard knob using traditional blacksmith methods. The rustic old fashioned styling is more suitable for

period properties. The Beeswax finish is the simple, age-old combination of hand forged fired metal finished with wax. The product will acquire its own unique patina over years of use. Not suitable for external use.

### Technical Details

---



**BW1078A**

This drawing is the property of Carlisle Brass Limited, all design rights reserved

### Specification

---



## Additional Information

---

SKU	BW1078A
Brands	Ludlow Foundries
Finishes	Beeswax
Sizes	21mm
Technical	4
Line Drawings	BW1078A.PDF