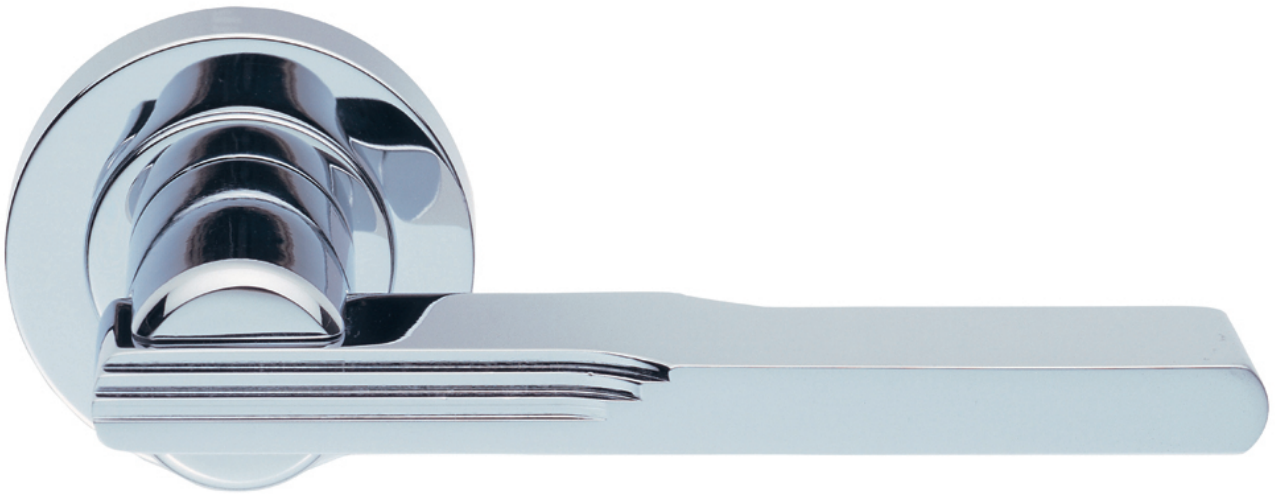


## Veronica Lever on Round Rose in Polished Chrome

### Product Images

---



### Description

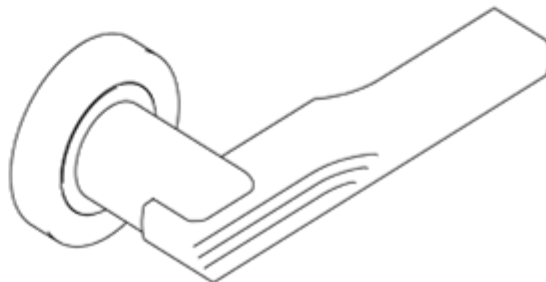
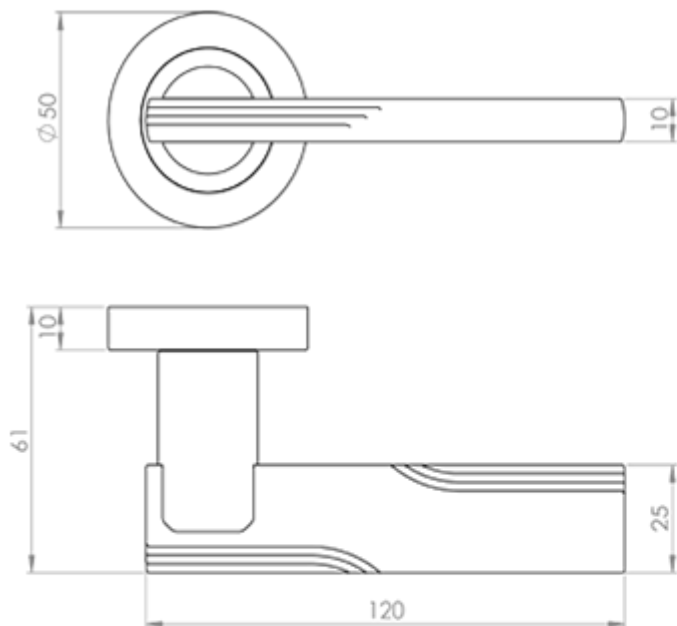
---

Lever on concealed fix 2 part screw on round rose. The front of the lever is stepped with an etched thumb grip and this detailing is repeated on the back

edge capturing the essence of the Art-Deco era. The lever is neatly recessed into the stem. Art Deco never goes out of fashion and they will look absolutely stunning in either traditional or contemporary settings. This product will appeal to specifiers and property owners alike who demand uncompromising quality. Comes with a 10 year mechanical guarantee and is Fire door rated. Suitable for domestic and commercial use.

### Technical Details

---



© CARLISLE BRASS

AQ5

This drawing is the property of Carlisle Brass Limited, all design rights reserved

### Specification

---



## Additional Information

---

SKU	AQ5CP
Brands	Manital
Finishes	Polished Chrome
Sizes	51mm Rose Dia.
Features	Screw on Rose
Technical	4,26
Line Drawings	AQ5.PDF
Unit of Sale	Pair