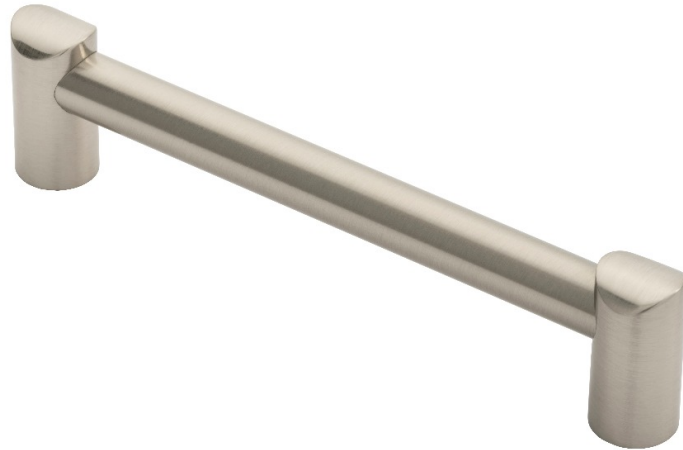




## Bar Handle

### Product Images

---



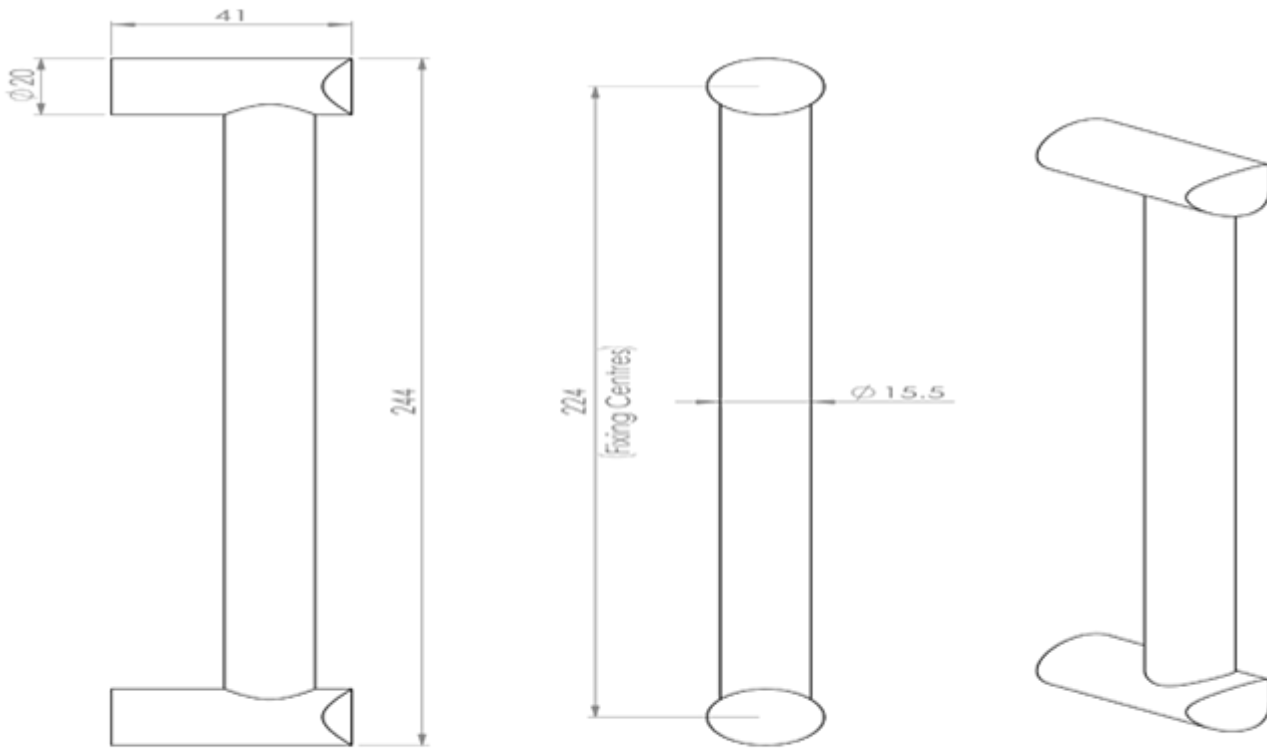
### Description

---

A metal round bar inset into chamfered top round pedestals. This sturdy and robust handle is ideally suited to busy office buildings and commercial premises.

### Technical Details

---



**FTD685E**

This drawing is the property of Carlisle Brass Limited, all design rights reserved

#### Additional Information

Short Description	Bar Handle
SKU	FTD685
Brands	Fingertip
Line Drawings	FTD685E.PDF

#### Product Options

Finishes:	Satin Nickel
Sizes:	160mm Centres, 180mm Overall, 41mm Projection
	224mm Centres, 244mm Overall, 41mm Projection

