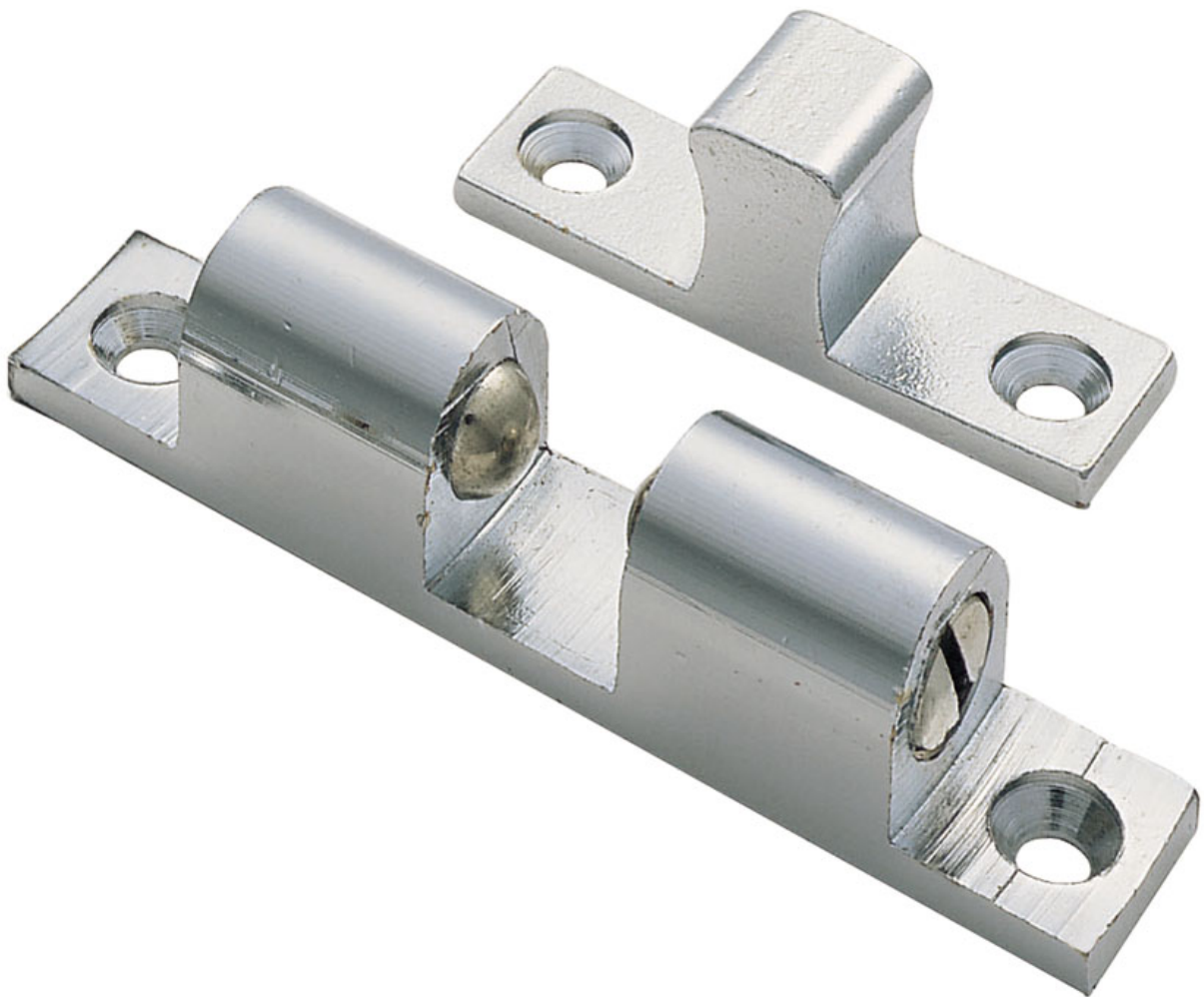




Double Ball Catch

Product Images

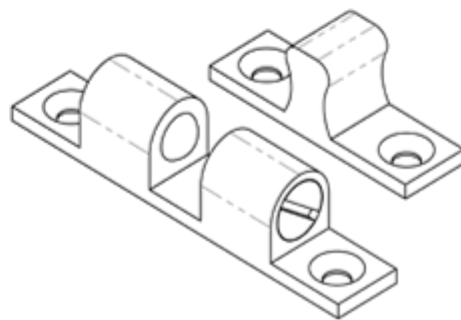
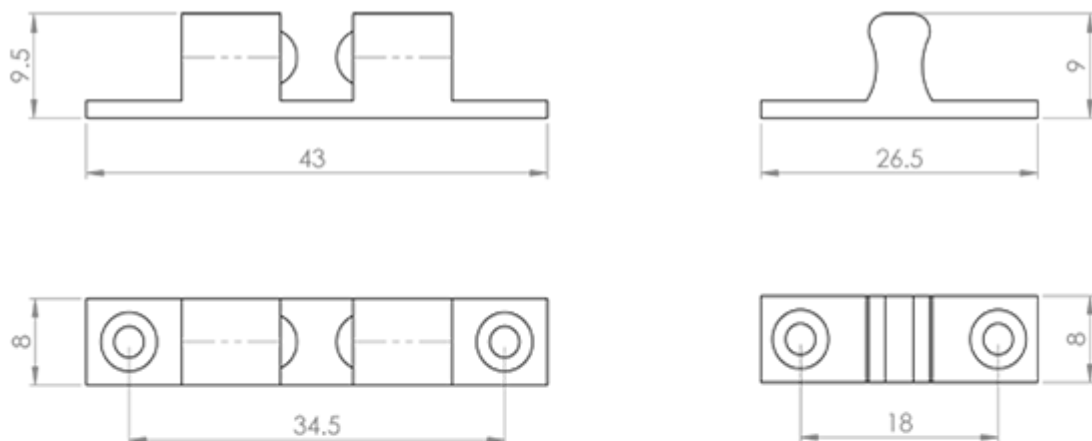


Description

A double-ball style roller catch suitable for use on wardrobes, cupboards and lightweight internal doors. Fully adjustable according to the pressure

required. Provides a good positive grip and unlike modern magnetic catches is less likely to pop open. Available in different finishes and sizes.

Technical Details



FTD815A

This drawing is the property of Carlisle Brass Limited. all design rights reserved

Additional Information

Short Description	Double Ball Catch
SKU	FTD815
Brands	Fingertip
Line Drawings	FTD815A.PDF,FTD815B.PDF,FTD815C.PDF,FTD815D.PDF

Product Options

Finishes:	Satin Chrome
	Self Colour
Sizes:	43mm x 8mm
	50mm x 9.3mm
	70mm x 13.5mm
	60mm x 11.5mm

