



## Enduromax Grade 13 Thrust Bearing Hinge

### Product Images

---



### Description

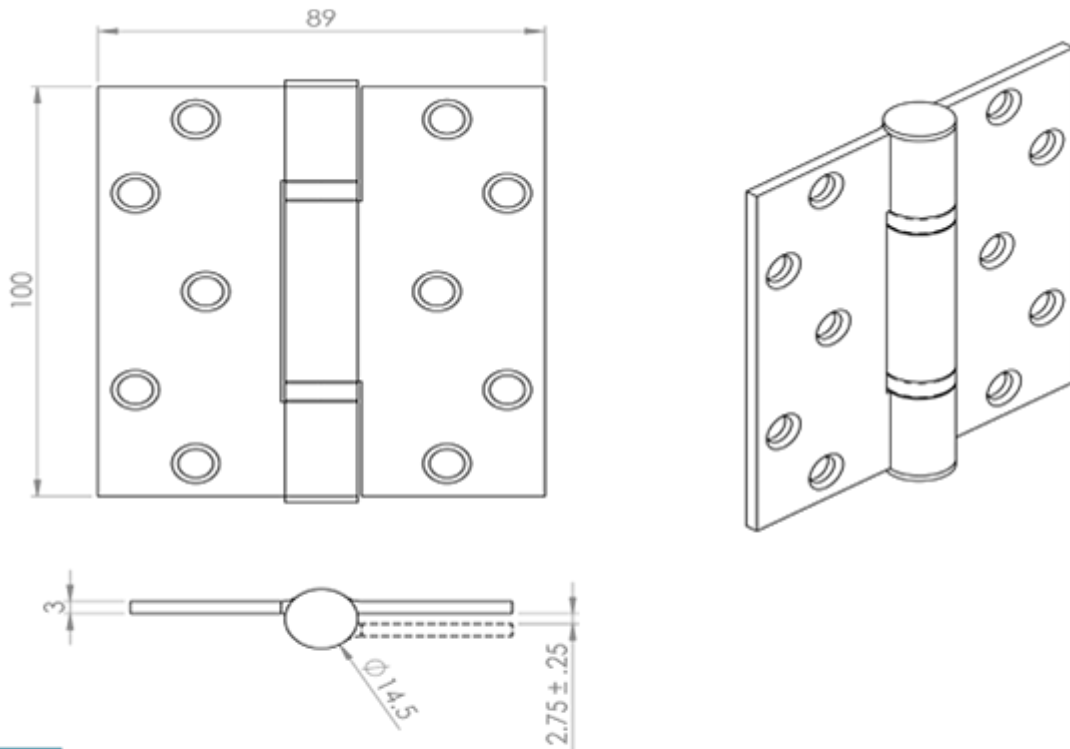
---

Grade 13 Thrust Bearing Hinge, Square or Radius options. (Max Load 120kg). Non removable pin. These are usually specified in heavy use commercial

developments such as schools, hospitals, airports, public buildings. They carry a CE mark and are Certifire tested. BS EN 1935 rated. This substantial premium hinge carries a 25 year mechanical guarantee. For standard internal residential doors a pair of hinges is adequate; however fitting 3 hinges per door has its advantages. It will look aesthetically pleasing and from a practical viewpoint it helps spread the load evenly and will help to overcome twisting or warping. This can sometimes happen to doors over a period of time where heat and moisture are a factor. Suitable for all domestic, commercial and industrial use.

## Technical Details

---



 EUROSPEC

H2N1102/13

This drawing is the property of Carlisle Brass Limited, all design rights reserved

## Specification

---



 certifire



## Additional Information

---

Short Description	Enduromax Grade 13 Thrust Bearing Hinge
SKU	H2N110
Brands	Eurospec
Features	Non Removable Pin
Technical	36,4,19,21,22,26
Line Drawings	H2N1102-13.PDF,H2N1102-13-R.PDF,H2N1103-13.PDF,H2N1103-13-R.PDF

## Product Options

---

Finishes:	Satin Stainless Steel
Sizes:	100mm x 76mm x 3mm
	100mm x 89mm x 3mm
Options:	Radius
	Square

