

Steelworx Small Circular Flush Pull

Product Images

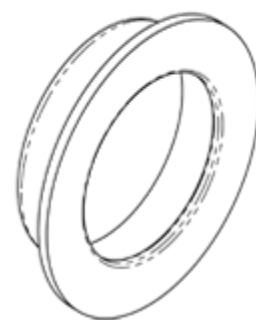
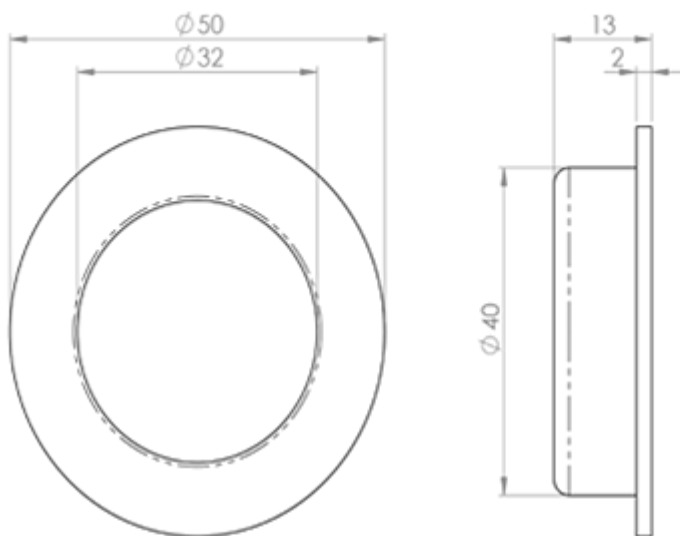


Description

48mm Dia. A circular shaped low profile flush pull which is used mainly on sliding doors. The main cup is recessed back into the door to leave a flush

appearance. For use on doors, wardrobes or cupboards. Part of the Steelworx Stainless Steel range. Fire door rated. Suitable for domestic and commercial use.

Technical Details



 EUROSPEC

FPH1002

This drawing is the property of Carlisle Brass Limited, all design rights reserved

Specification



Additional Information

SKU	FPH1002
Brands	Eurospec
Technical	4,26
Line Drawings	FPH1002.PDF

Product Options

Finishes:

Bright Stainless Steel

Satin Stainless Steel