



Steelworx Large Circular Flush Pull

Product Images

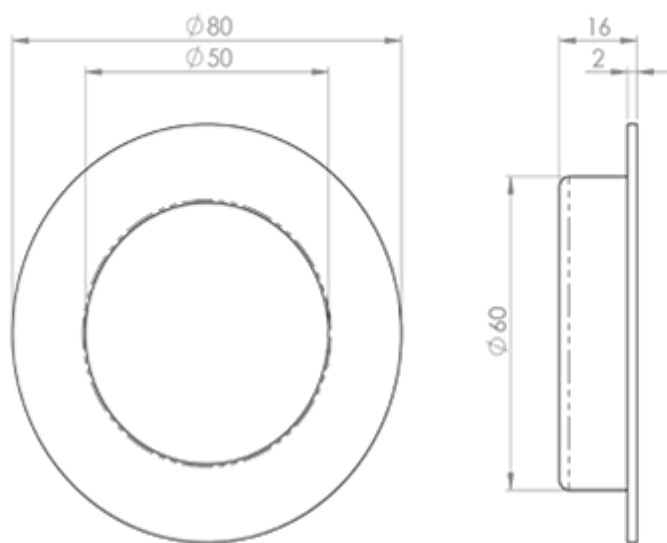


Description

78mm Dia. circular shaped low profile flush pull which is used mainly on sliding doors. The main cup is recessed back into the door to leave a flush

appearance. For use on doors, wardrobes or cupboards. Part of the Steelworx Stainless Steel range. Fire door rated. Suitable for domestic and commercial use.

Technical Details



FPH1003

This drawing is the property of Carlisle Brass Limited, all design rights reserved

Specification



Additional Information

Short Description	Large Circular Flush Pull
SKU	FPH1003
Brands	Eurospec
Technical	4,25
Line Drawings	FPH1003.PDF

Product Options

Finishes:

Bright Stainless Steel

Satin Stainless Steel

