



Contract Victorian Scroll Lever on Latch Backplate

Product Images



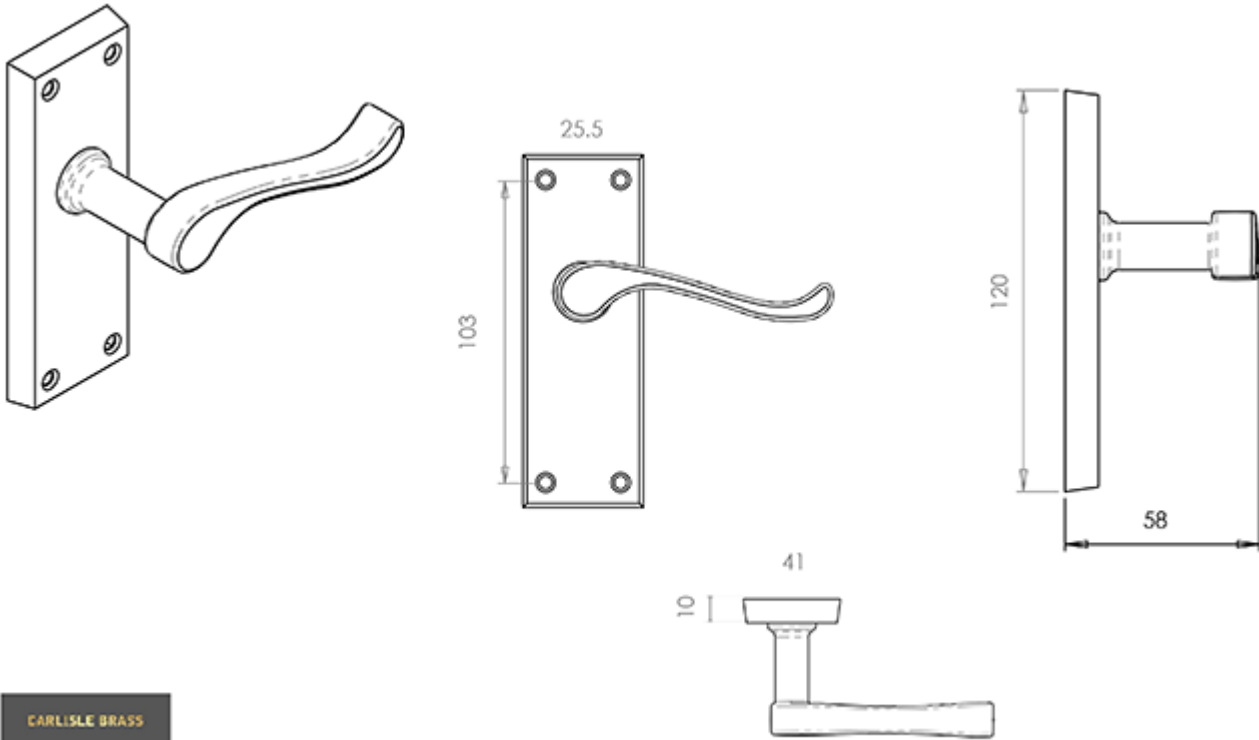
Description

Lever on a latch backplate. Plain rectangular backplate. A classic scroll lever with its clean and simple lines conveying its traditional heritage. Graceful and

elegant.

[Click here for care instructions](#)

Technical Details



CARLISLE BRASS

CBS55

This drawing is the property of Carlisle Brass Limited, all design rights reserved

Specification



Additional Information

Short Description	Victorian Scroll Lever on Latch Backplate
SKU	CBS55CP
Barcode	5050245109049
Brands	Carlisle Brass
Finishes	Polished Chrome
Options	Latch
Sizes	120mm x 40mm Backplate
Technical	4
Line Drawings	CBS55.pdf
Unit of Sale	Pair

