



DDA Compliant Turn and Release

Product Images



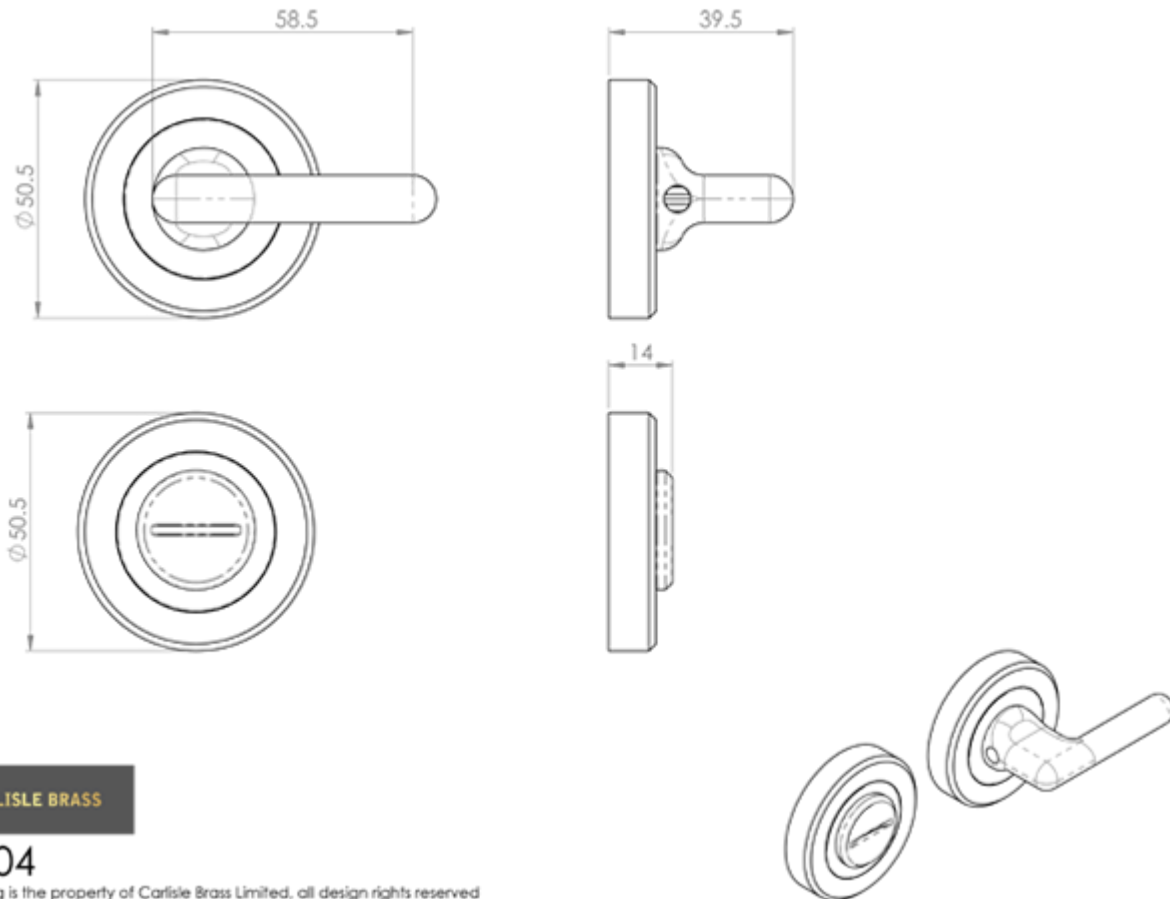
Description

Thumbturn and Release on concealed fix 2 part screw on round rose. The thumbturn has a easy to operate long round bar lever with a coin release on

the other side in case of emergency access. The chamfered edge concealed fix rose reflects the attention to detail in this range. Certified to BS8300 to meet the needs of disabled people. Ideal for public/office doors where a more ergonomic operation is a necessary requirement. Comes with a 10 year mechanical guarantee and is Fire door rated. As long as the recommended cleaning process is followed, the stainless brass PVD long-life finish offers a 25 year finish guarantee, which renders the surface impervious to damage in normal use including oxidation and abrasion. So your product will stay as good as new, even in coastal areas. Suitable for all domestic, commercial and industrial use.

[Click here for care instructions](#)

Technical Details



© CARLISLE BRASS

SZ5004

This drawing is the property of Carlisle Brass Limited, all design rights reserved

Specification



Additional Information

Short Description	Thumbturn and Release DDA Compliant
SKU	SZ5004PVD
Barcode	5050245165168
Brands	Serozzetta
Finishes	PVD
Sizes	50mm Dia. Rose
Technical	4
Line Drawings	SZ5004.PDF
Unit of Sale	Set

