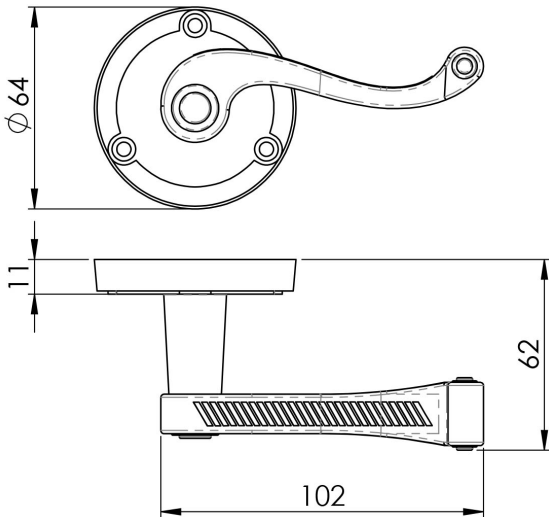


Georgian Lever on Round Rose

FG3



Georgian lever on a 64mm round rose. Reminiscent of a bygone era the Georgian handle retains the traditional roped pattern adornment. It features a rope design atop the scroll curved lever and along the edging of the rose.

