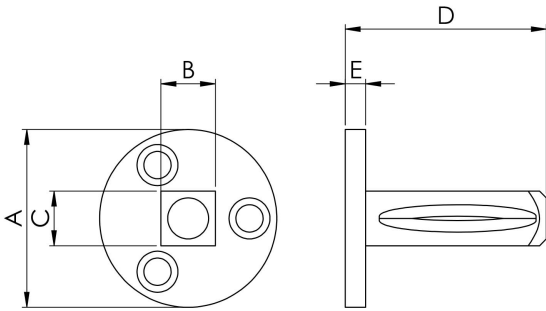


TAYLOR SPINDLE - 8mm SQ - SPARE

SP6T



Taylor Spindle (8mm) for fixing handles dead. A Taylor spindle is also known as a Dummy spindle is used where a knob or handle is required to be fixed dead. This means the knob or handle cannot be turned or depressed as per their normal operation. In this manner, the knob or handle are pulled to open the door.

