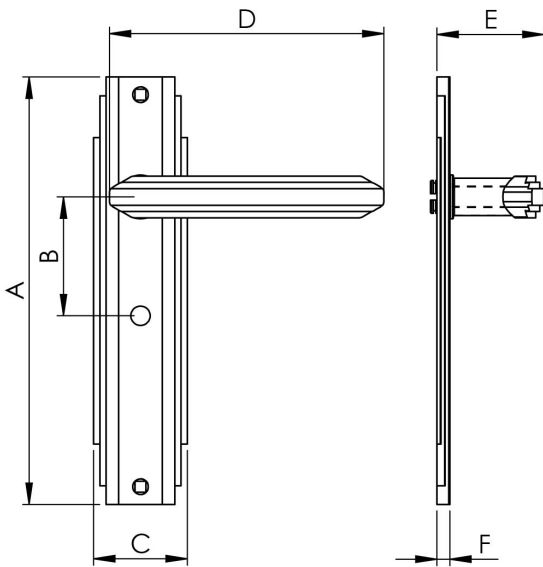


Art Deco Lever on Latch Backplate

ADR012CP



Lever on latch backplate. This straight lever has stepped lines and an angular cut at either end and with this detailing repeated on the backplate easily captures the essence of the Art-Deco era. The Art Deco range of handles and accessories are simply breathtaking in their sophistication and simply ooze elegance, charm and style. Art Deco never goes out of fashion and they will look absolutely stunning in either traditional or contemporary settings.

