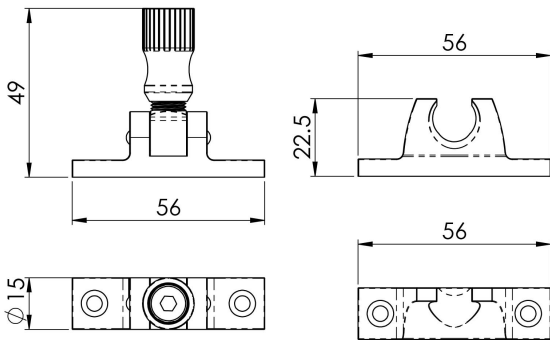


## Narrow Plate Locking Brighton Sash Fastener

### AQ53 Range



A traditional Brighton pattern sash window sprung fastener for narrow style window frames. Locking version. A classic method of fastening and locking sliding sash windows. To lock, pull the sprung toggle arm down and screw the knob into the keep.

