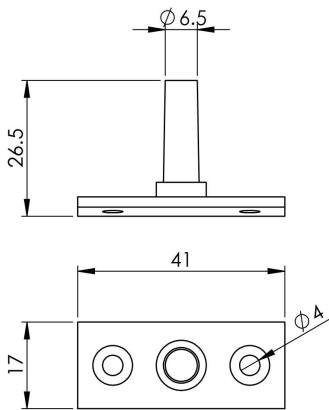


EJMA Pin

WF15 Range



Ejma pins are used with casement stays where timber frames have a sloping bevel, a slight angle, typically 9 degrees.

