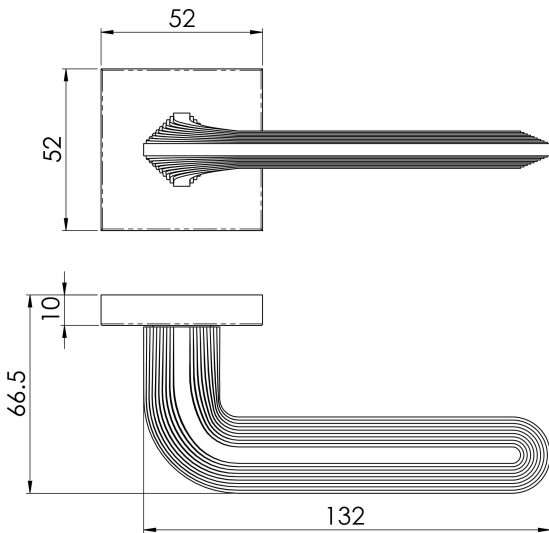


Era Lever on Square Rose

CEB050QCP



An elegant and geometrically formed long handle on a square rose. The stepped tiered edging is indicative of the fine engineering, maintaining the precise flawless lines as it curves into the neck. The end of the handle is streamlined, graceful and beautifully formed. Concealed fix 2 part rose.

