



Numerals 100mm

Product Images

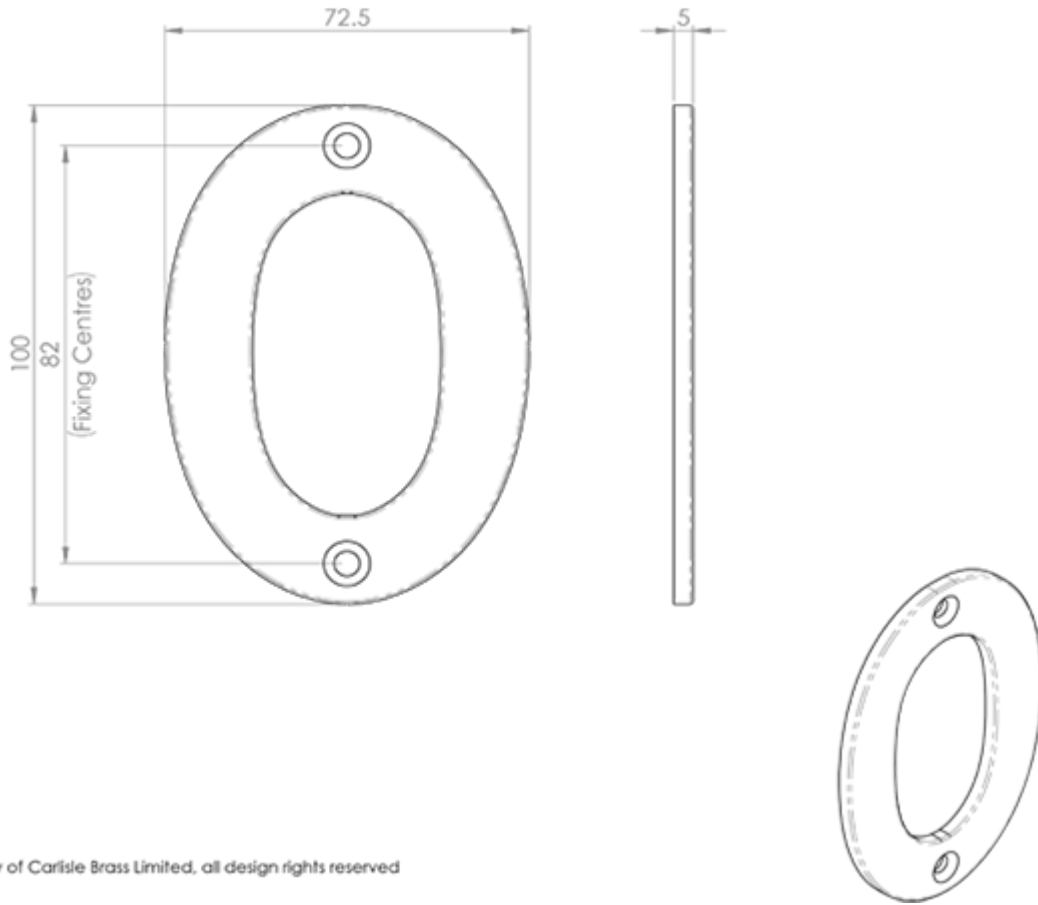


Description

Numerals in 100mm versions. The bold typeface provides clarity at a distance. Two anchor points for secure fixing. Part of the Steelworx Stainless Steel

range.

Technical Details



NUM10100

This drawing is the property of Carlisle Brass Limited, all design rights reserved

Specification



Additional Information

Short Description	Numerals in 100mm versions.
SKU	NUM1010
Brands	Eurospec
Technical	4,26
Line Drawings	NUM10100.pdf,NUM10101.pdf,NUM10102.pdf,NUM10103.pdf,NUM10104.pdf,NUM10105.pdf,NUM10106-9.pdf,NUM10107.pdf,NUM10108.pdf

Finishes:	Bright Stainless Steel
	Satin Stainless Steel
Options:	Number 0
	Number 7
	Number 5
	Number 1
	Number 6/9
	Number 4
	Number 3
	Number 8
	Number 2

