

Plain Letter Plate

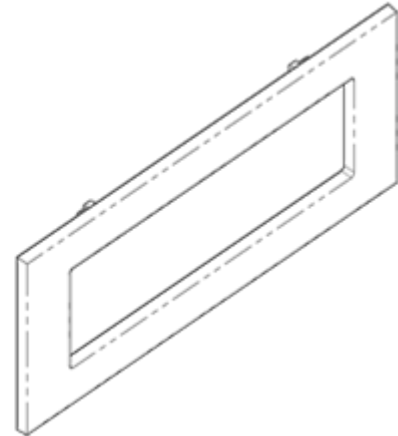
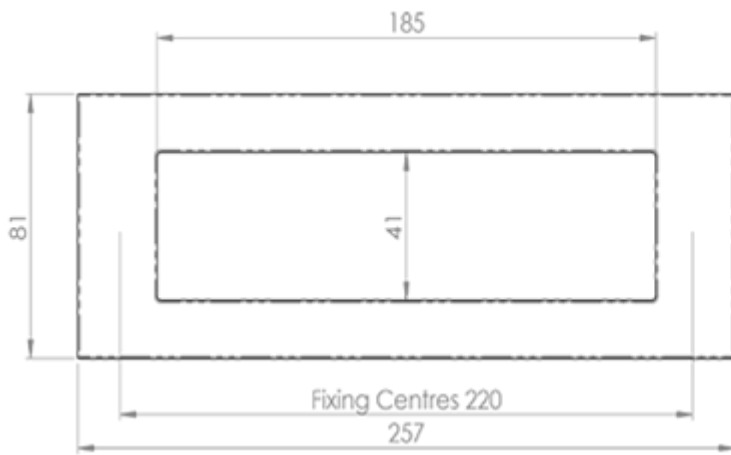
Product Images



Description

The UK's most popular style of letter plate - an industry standard. The sprung inward opening flap automatically closes once the package has passed through the aperture. The well-defined edges and plain design makes for easy cleaning. Comes with a 10-year mechanical guarantee. Available in a vast array of sizes and finishes. The wide range of options offers an extensive and unparalleled degree of choice..

Technical Details



 CARLISLE BRASS

M36S

This drawing is the property of Carlisle Brass Limited, all design rights reserved

Specification



Additional Information

SKU	M36SFB
Brands	Carlisle Brass
Finishes	Florentine Bronze
Sizes	257mm x 81mm Outer Frame, 185mm x 41mm Aperture, 220mm Fixing Centres
Technical	5,49
Line Drawings	M36S.PDF