



Hinge & Latch Pack

Product Images

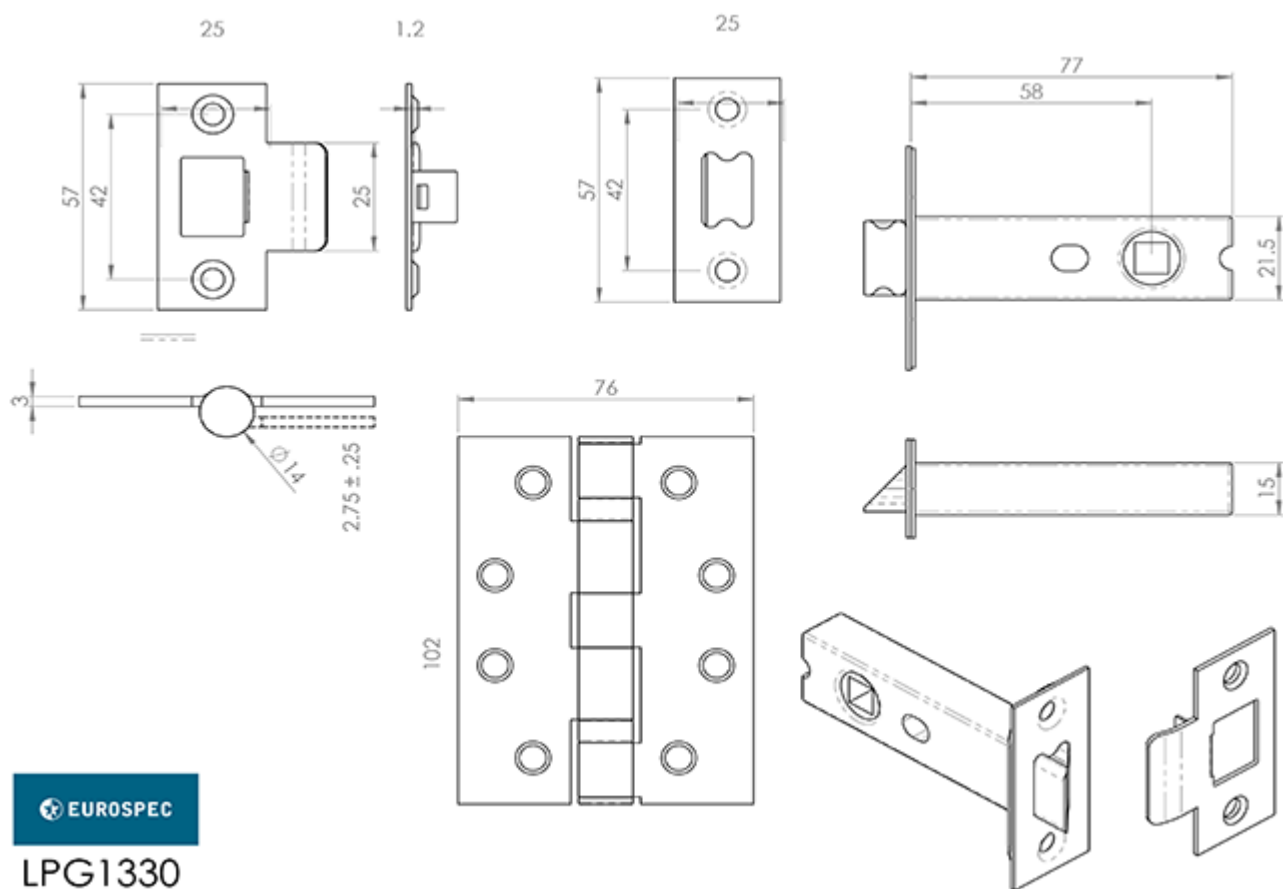


Description

Each pack contain Bolt through tubular latch, 1.5 pairs of grade 13, 4 inch ball bearing hinges.

[Click here for care instructions](#)

Technical Details



EUROSPEC

LPG1330

This drawing is the property of Carlisle Brass Limited, all design rights reserved

Specification



Additional Information

SKU	LPG1330SSS
Brands	Carlisle Brass
Finishes	Satin Stainless Steel
Technical	4,26
Line Drawings	LPG1330.pdf
Unit of Sale	Pack

