



Hinge & Latch Pack

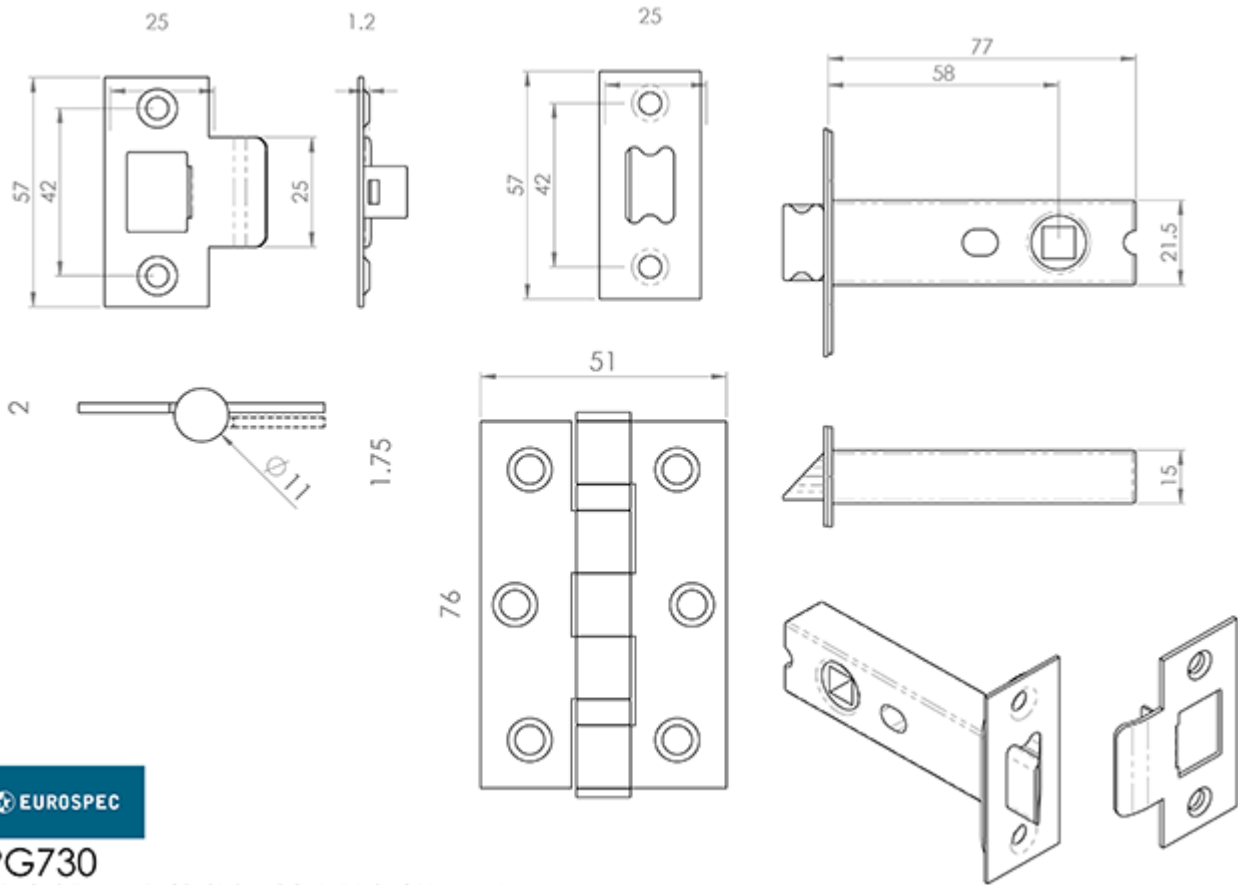
Product Images



Description

Each pack contain Bolt through tubular latch, 1.5 pairs of 3 inch ball bearing hinges.

Technical Details



EUROSPEC

LPG730

This drawing is the property of Carlisle Brass Limited, all design rights reserved

Specification



Additional Information

SKU	LPG730
Brands	Carlisle Brass
Technical	4
Line Drawings	LPG730.pdf

Product Options

Finishes:	Electro Brassed
	Polished Chrome

