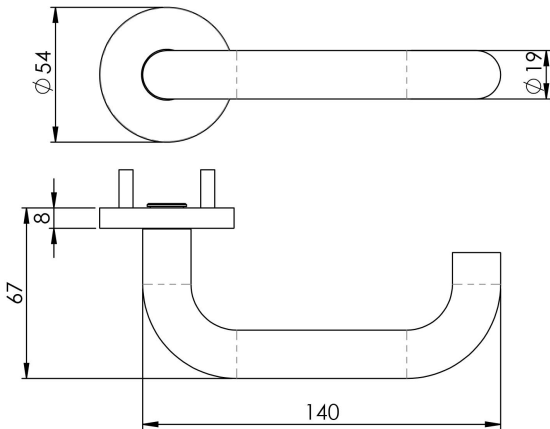


Grade 304 Safety Lever DDA Compliant

SW4123X/SSS/G304



A substantial round bar return to door safety lever on a concealed fix bearing round rose. Grade 304 version. Concealed fix 2 part screw on rose. Certified to BS EN 1906 and BS EN 8300 to meet the needs of disabled people.

