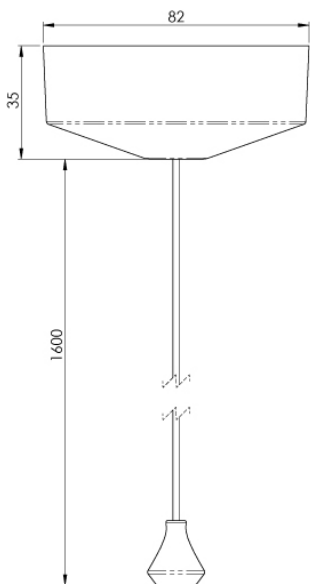


# 10Amp 2 Way Pull Cord

## 10Amp 2 Way Pull Cord



- Certified to EN 60669-1
- 6 Finishes that compliment both Eurolite & Carlisle Brass ranges.
- 10Amp 2Way
- Comes with a 2 Year Warranty
- Stylish and modern concealed fixing
- 1600mm cord length which can be easily adjusted

